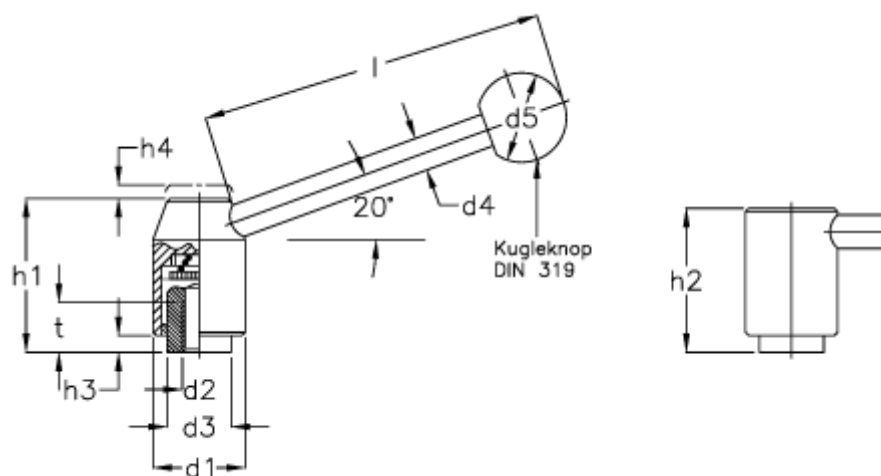


Article number: 20228418

Description: E+G Safety tension lever  
GN312-21-M8-E

## Measures



d1 = 21	h1 = 37.0
d2 = 1/4 x 20	h2 = 34.5
d2 = 5/16 x 18	h3 = 4.5
d2 = M 8	h4 = 3.0
d2 = M 6	l min = 70
d3 = 13.5	t = 10
d4 = 8	
d5 = 20	